

METROPOLITAN UTILITIES DISTRICT	Construction Standard	No: 1.1.6
	Abandonment of Vaults and Valve Boxes	Page: 1 of 5
<u>Supersedes:</u> 4-5-16		
Effective: 8-22-16		
Prepared by: D.J. Satterfield		
Approved by: Jeff Schovanec		

ABANDONMENT OF VAULTS OR PITS

A. Piping to Remain in Service

WARNING: A 20-lb. ABC or Purple K fire extinguisher shall be available for use during the following procedures.

1. When a vault or pit is to be abandoned or removed, all reusable equipment shall be recovered.
2. Check with the Corrosion Engineer for possible cathodic protection to be added.
3. Any bare piping must be coated with primer and wrap or wax tape. See Construction Standard [8.5.1](#).
4. Remove the frame and cover and any valve box(es) (see [ABANDONMENT OF VALVE BOXES](#) section below, page 2).
5. Remove all of the vault or pit if possible. If unable to remove all of the vault or pit, then contact the Director of Construction and Transportation or the Director of Water Distribution or a designee. **NOTE:** If portions are left, the remaining vault or pit structure must be at least 12" below grade and allow for hand tamping of dirt. **WARNING:** Care must be taken not to allow any debris from the vault or pit walls and ceiling to fall on to the piping. An inspection of the pipe and coatings shall be done after all pieces of the vault or pit are removed.
6. The vault or pit void shall be filled and compacted with dirt.
7. The surface shall be restored to its surroundings.

B. Vault or Pit and Piping Being Abandoned

1. When a vault or pit is to be abandoned or removed, all reusable equipment shall be recovered.
2. Seal any open pipe ends.
3. Remove the frame and cover and any valve boxes (see [ABANDONMENT OF VALVE BOXES](#) section below, page 2).

METROPOLITAN UTILITIES DISTRICT	Construction Standard	No: 1.1.6
	Abandonment of Vaults and Valve Boxes	Page: 2 of 5
Prepared by: D.J. Satterfield		<u>Supersedes:</u> 4-5-16
Approved by: Jeff Schovanec		Effective: 8-22-16

- Remove the ceiling or lid of the vault or pit. The remaining vault or pit structure must be at least 12" below grade. This is the preferred method of abandonment. If not practical to remove the frame and cover and any valve box(es), then proceed to [MARKING ABANDONED VAULTS, PITS OR VALVE BOXES LEFT INTACT](#) section below, page 3. Removing only the cover requires approval by either the Director of Construction and Transportation or the Director of Water Distribution or a designee.
- The remaining vault or pit shall be filled with sand or flowable fill. See Fig. 1.

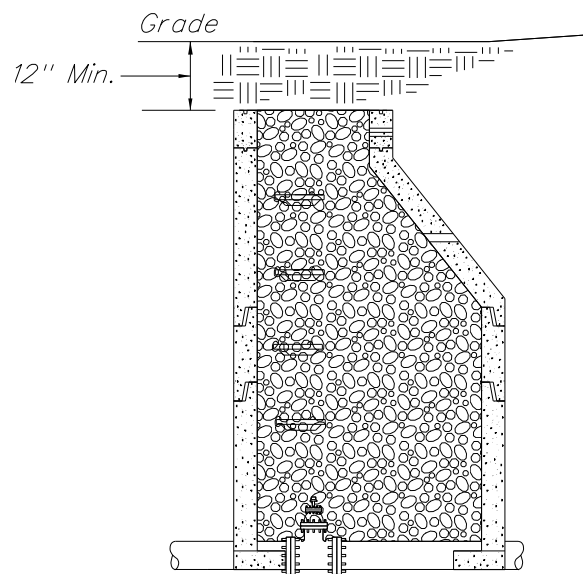


Fig. 1

- The surface shall be restored to its surroundings.

**

ABANDONMENT OF VALVE BOXES

- Valve boxes shall be removed or broken out to at least 12" below grade. This is the preferred method of abandonment. If not practical to remove valve box, then proceed to [MARKING ABANDONED VAULTS, PITS OR VALVE BOXES LEFT INTACT](#) section below, page 3. Removing only the valve box lid requires approval by either the Director of Construction and Transportation or the Director of Water Distribution or a designee.

** Moved/Revised Text and Table



METROPOLITAN UTILITIES DISTRICT	Construction Standard	No: 1.1.6
	Abandonment of Vaults and Valve Boxes	Page: 3 of 5
Prepared by: D.J. Satterfield		<u>Supersedes:</u> 4-5-16
Approved by: Jeff Schovanec		Effective: 8-22-16

- The remaining box shall be filled with sand or flowable fill. See Fig. 2.

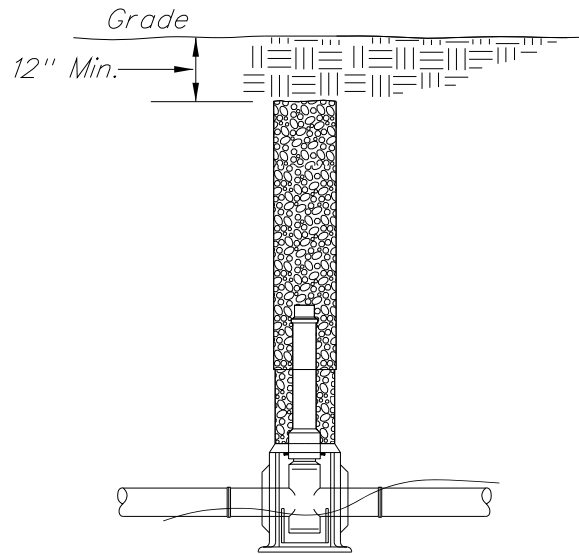


Fig. 2

- The surface shall be restored to its surroundings.

MARKING ABANDONED VAULTS, PITS OR VALVE BOXES LEFT INTACT

A. Vaults or Pits

- When not practical to remove frame and cover, then just remove cover.
- The vault or pit shall be filled with sand or flowable fill to 6" below grade. The remaining 6" shall be filled with concrete.
- Insert a T-Bolt and nut into the concrete with the head of the T-Bolt flush with top of the concrete. The T-Bolt will denote the valve box has been intentionally abandoned by the District and not inadvertently filled with concrete by others. See Fig. 3.

METROPOLITAN UTILITIES DISTRICT	Construction Standard	No: 1.1.6
	Abandonment of Vaults and Valve Boxes	Page: 4 of 5
Prepared by: D.J. Satterfield		<u>Supersedes:</u> 4-5-16
Approved by: Jeff Schovanec		Effective: 8-22-16

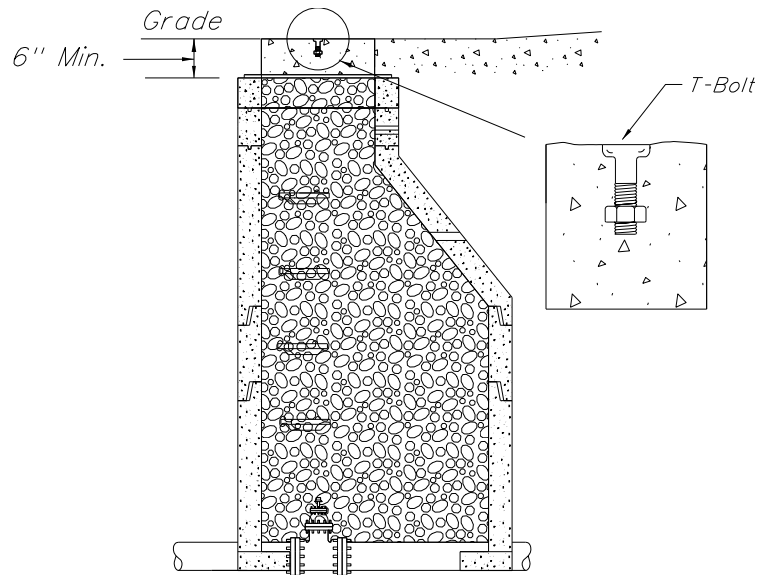


Fig. 3

B. Valve Boxes

1. When not practical to remove valve box, then just remove valve box lid.
2. The valve box shall be filled with sand or flowable fill to 6" below grade. The remaining 6" shall be filled with concrete.
3. Insert a T-Bolt and nut into the concrete with the head of the T-Bolt flush with top of the concrete. The T-Bolt will denote the valve box has been intentionally abandoned by the District and not inadvertently filled with concrete by others. See Fig. 4.

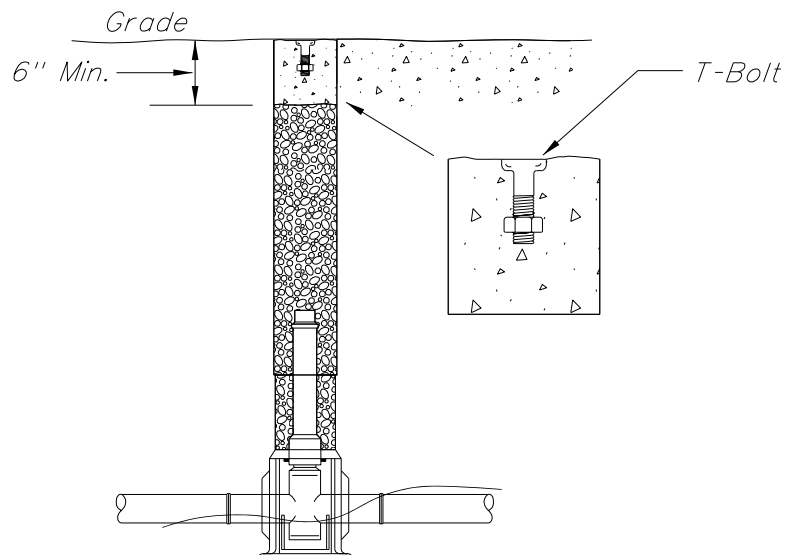


Fig. 4

METROPOLITAN UTILITIES DISTRICT	Construction Standard	No: 1.1.6
	Abandonment of Vaults and Valve Boxes	Page: 5 of 5
Prepared by: D.J. Satterfield		<u>Supersedes:</u> 4-5-16
Approved by: Jeff Schovanec		Effective: 8-22-16

* **RECORDS FOR VAULT AND VALVE BOX ABANDONMENT**

Provide as-built information, including ties and components, as follows:

**

Form	Completed by	Dept/Person Sent to
As-built (Small Job)	Crew Leader	Construction Foreman
As-built (Large Job)	Field Engineer	Engineering/Drafting
As-built (Contract Job)	Contract Inspector	Engineering/Drafting
Abandonment Report	Fld. Eng./Contract Insp.	Engineering/Drafting

Refer to Construction Standard [12.1.0](#) for complete record routing information.

* Moved/Revised Text 

** Moved/Revised Table

This Page is Intentionally Left Blank