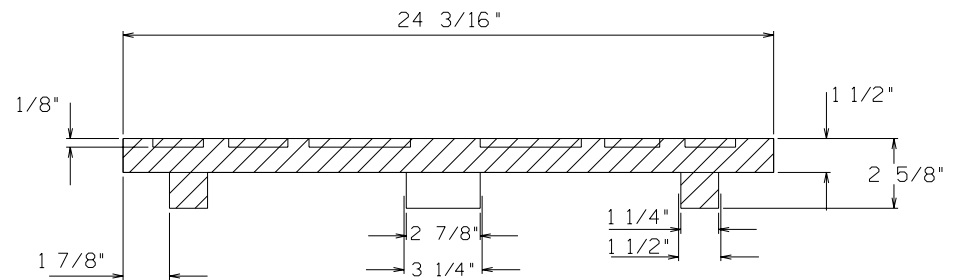
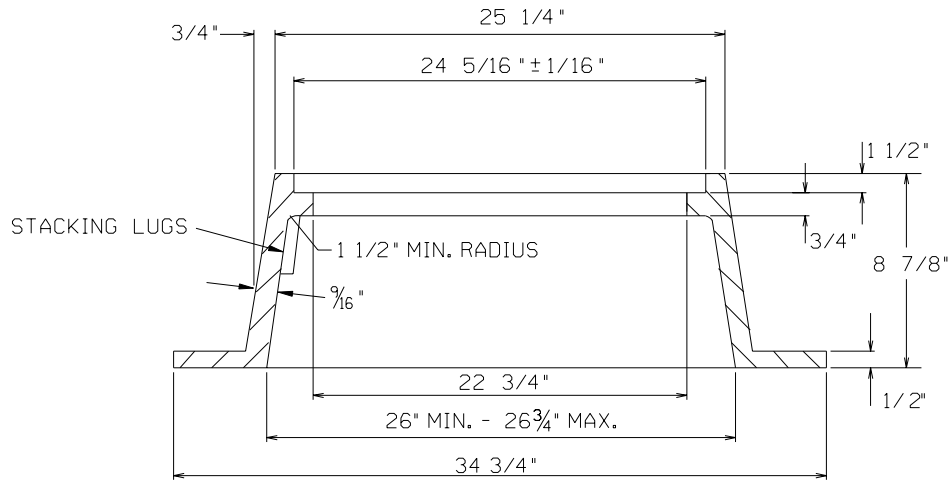


LETTERED "GAS" OR "WATER"
ACCORDING TO
REQUEST FOR QUOTE.



METROPOLITAN UTILITIES DISTRICT OMAHA, NEBRASKA DECIPTION 24" MANHOLE RING AND COVER	SCALE NO SCALE	REVISIONS
	DRAWN BY C.J.L.	
	DATE 3-13-00	
	REVISED BY	
	CHECKED BY	
APPROVED BY	PAGE NO. 1 OF 1	FILE NO. 416207

NOTES

1. FURNISHED WITH MACHINED HORIZONTAL BEARING SURFACES.
2. FURNISH SOLID LID.
3. NO COATING ON FRAMES OR LIDS.