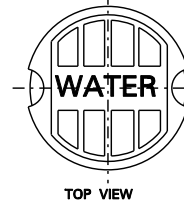


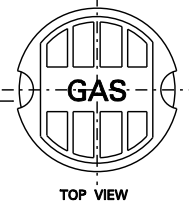
CAST IRON COVER

**CAST IRON COVER
MUD STOCK#
19-251-10**

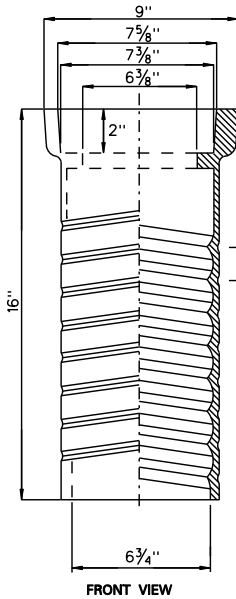


TOP VIEW

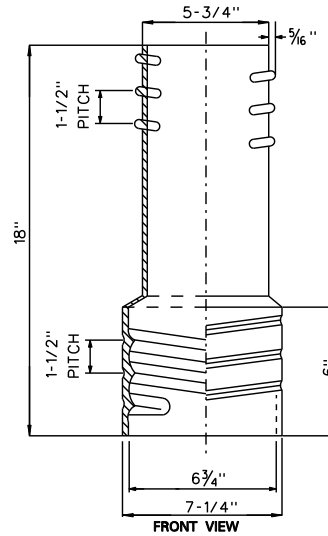
**CAST IRON COVER
MUD STOCK#
19-251-00**



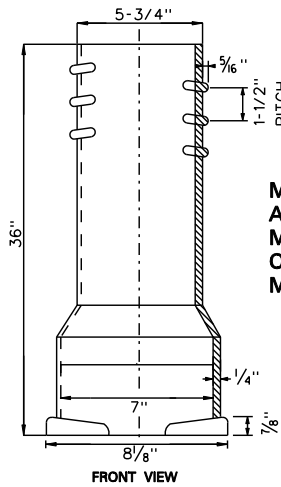
TOP VIEW



**CAST IRON
TOP SECTION
MUD STOCK#19-256-00
OR
RISER
MUDSTOCK#19-257-00**

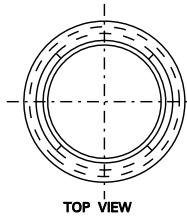


**SCREW TYPE EXTENSION
ABS PLASTIC
MUD STOCK#19-259-70
OR CAST IRON
MUD STOCK#19-252-00**



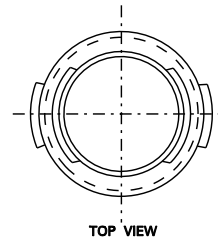
**MIDDLE SECTION
ABS PLASTIC
MUD STOCK#19-259-50
OR CAST IRON
MUD STOCK#19-255-00**

**SCREW TYPE
EXTENSION**

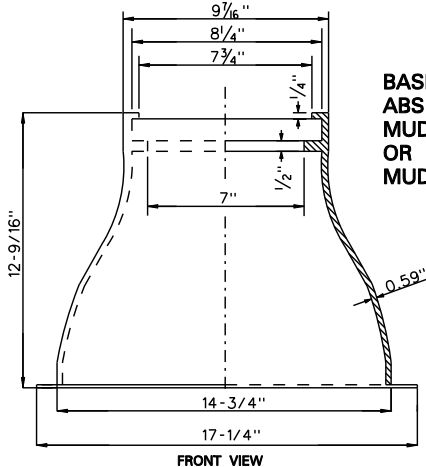


TOP VIEW

**MIDDLE
SECTION**

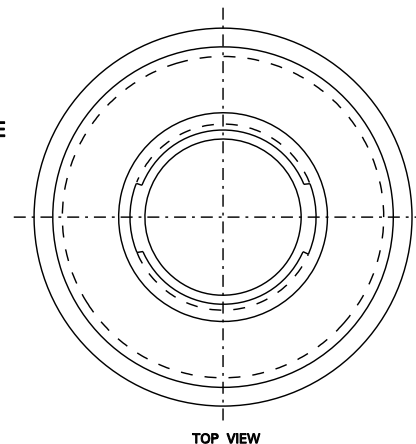


TOP VIEW



**BASE
ABS PLASTIC
MUD STOCK#19-259-00
OR CAST IRON
MUD STOCK#19-254-00**

BASE



TOP VIEW

METROPOLITAN UTILITIES DISTRICT OMAHA, NEBRASKA DESCRIPTION C.C. VALVE BOX FOR WATER OR GAS, GATE VALVES	SCALE NO SCALE	REVISIONS
	DRAWN BY D.A.S.	JAZ 12-27-06
	DATE 7-18-2003	MKM 04-15-11 Added file path, & MUD Stock #'s
	REVISD BY	
	CHECKED BY	
N:\PRIVATE\CAD\DGN\DETAILS\CONSTSTD.DGN	APPROVED BY	PAGE NO. 1 OF 1 FILE NO. 416128

- NOTES:**
1. ALL SECTIONS TO BE TAR COATED INSIDE AND OUT.
 2. ALL SECTIONS TO BE INTERCHANGEABLE AND FIT WITH BOXES OF OTHER APPROVED MANUFACTURERS.