

METROPOLITAN UTILITIES DISTRICT

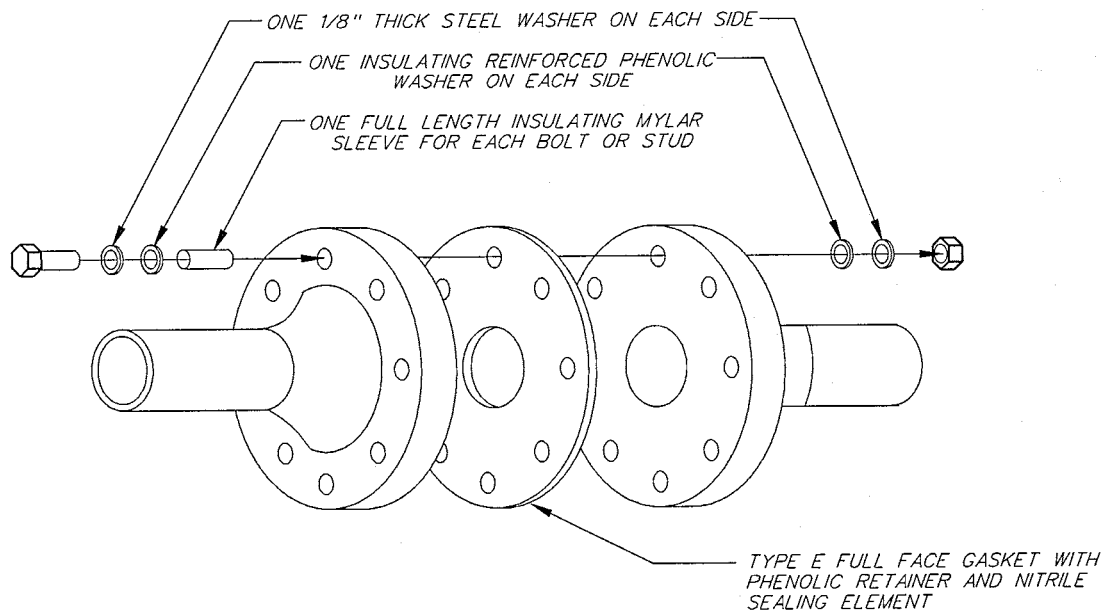
CONSTRUCTION STANDARD FOR: Installation of a Double Insulating Washer Flange Insulating Set

No. 8.2.2
Page: 1 of 1
Effective: 12-15-00

Prepared by: WRT

Supersedes: 8.2.2, dated 6-1-97

Approved by: JGL



FLANGE INSULATION WITH DOUBLE INSULATING WASHERS

USE:

Flange insulating sets shall only be installed at locations specified by MUD Engineering.

INSTALLATION:

1. Clean and inspect pipe flange faces and gasket.
2. Install the gasket and align the flanges and gasket so the bolts or studs will be centered.
3. Slip the insulating sleeve over the bolt or stud. Slide the steel and fiber washers over the sleeve up against the head of the bolt.
4. Insert the stud or bolt with both insulating washers against the flange followed by the steel washer and nut.
5. Tighten the bolts or studs alternately around the flange by holding the shank steady and tightening the nut to the necessary torque.
6. The bolt or stud shall be of sufficient length to extend through the nut a minimum of one full thread but not more than 1/2".
7. Electrical insulation shall be verified as directed by the Corrosion Engineer.