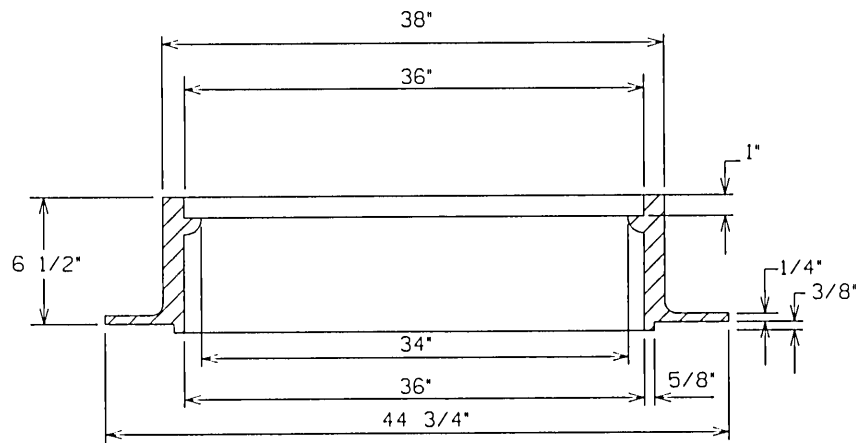
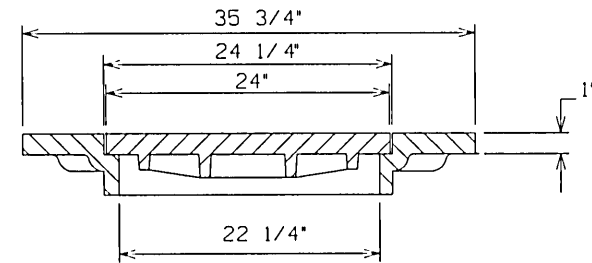


LETTERED "GAS" OR "WATER" ACCORDING TO REQUEST FOR QUOTE.



36" FRAME



36" COVER W/24" INNER COVER

METROPOLITAN UTILITIES DISTRICT OMAHA, NEBRASKA DESCRIPTION 36" MANHOLE RING AND COVER	SCALE NO SCALE	REVISIONS
	DRAWN BY LKL	2-10-04 JAZ
	DATE 3-24-97	
	REVISED BY	
	CHECKED BY	
APPROVED BY	PAGE NO. 1 OF 1	FILE NO. 416232

NOTES

1. FURNISHED WITH MACHINED HORIZONTAL BEARING SURFACES.
2. FURNISH 36" COVER WITH 24" INNER COVER.
3. NO COATING ON FRAMES OR LIDS.
4. APPROVED RING & COVER: DEETER FOUNDRY #1191.