

METROPOLITAN UTILITIES DISTRICT

CONSTRUCTION STANDARD FOR: Immediate Support Backing Blocks

No. 1.8.12
Page: 1 of 1
Effective: 12-15-00

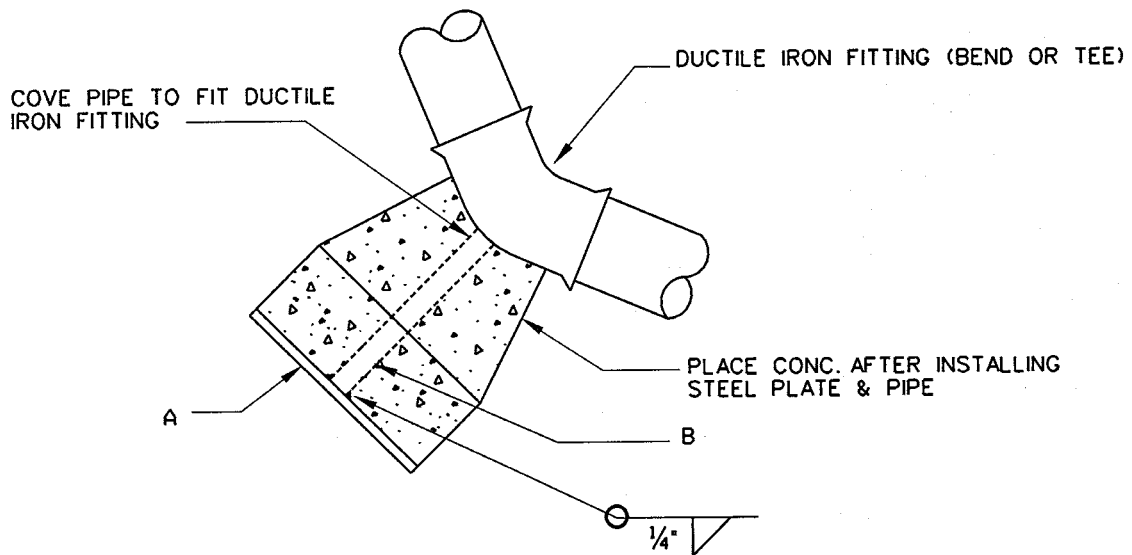
Prepared by: WRT

Supersedes: 6-1-97

Approved by: JGL

GENERAL

The intent of this Construction Standard is to specify the materials and installation of immediate support backing blocks for common fittings on 6" - 12" diameter mains. Immediate support backing blocks shall be installed where indicated on job drawings.



Pipe Size	A	B
6"	2'x2'x1/2"	3"x3'
8"	3'x3'x3/4"	3"x4'
12"	4'x4'x1"	3"x5'

NOTE:

1. Plates shall be ASTM A36 Steel.
2. Pipe shall be ASTM A36 Steel, standard weight piping.